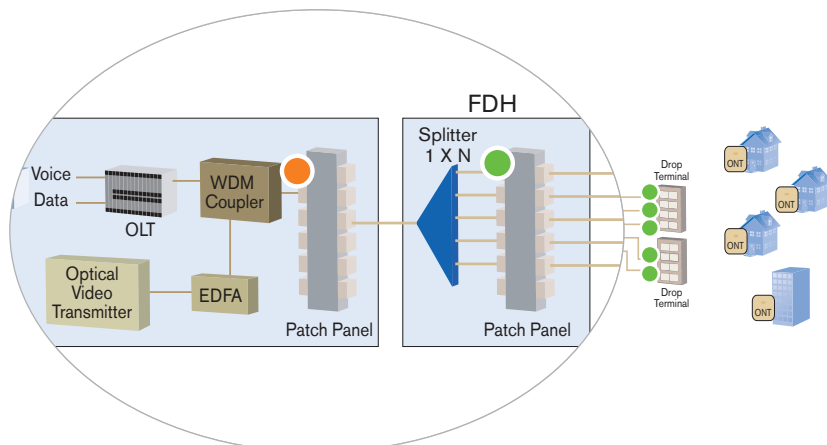


# FTTH Networks: Testing Every Step of the Way

## Installation/Construction



Fully automated results in 10 seconds—IL, ORL and fiber length.



### FTB-200 Compact Platform

- Tests physical, transport and datacom
- Accommodates two field-interchangeable modules
- Fast and powerful: four-second power-up time
- One-key toggling for quick and easy multitasking

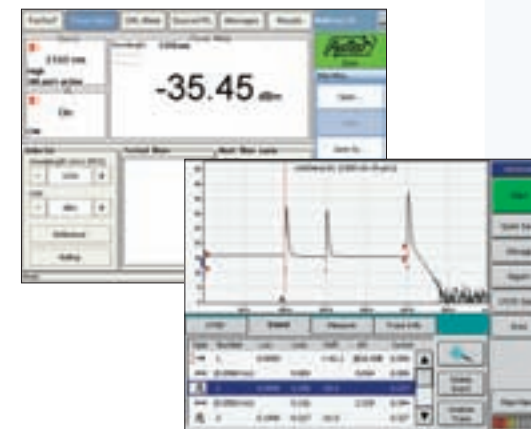


### FTB-3930 MultiTest Module

- Fully automated bidirectional loss test results in ten seconds
- Visual IL and ORL pass/fail analysis
- Up to three wavelengths

### FTB-7300E FTTX PON/MDU OTDR

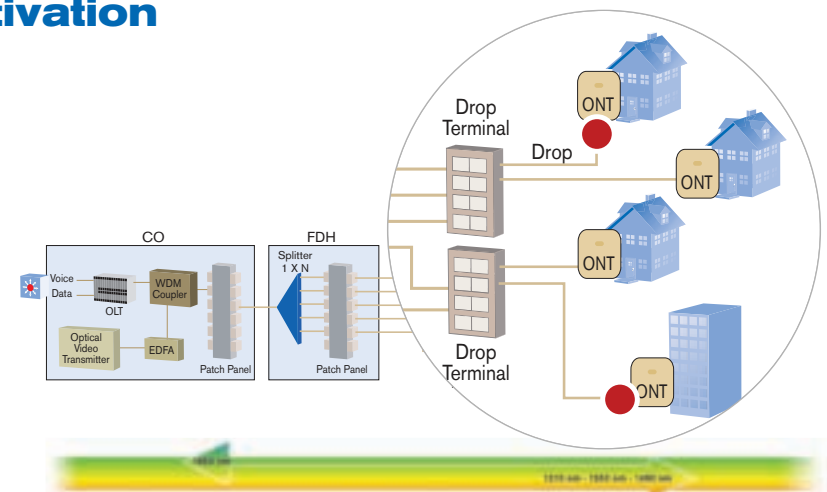
- Dynamic range of up to 39 dB
- Test through high-port-count splitters of up to 1x64
- Single-mode live testing port for in-service testing
- Locates closely spaced events with 0.8 m dead zones



### FOT-930 MaxTester Multifunction Loss Tester

- Combines a powerful light source, a power meter, a visual fault locator, a full-duplex digital talk set and a video fiber inspection probe
- Delivers fast ORL results based on user-configurable pass/fail thresholds, for error-free testing
- To be used as a set with the FTB-3930 MultiTest module

## Activation



Unique workflow management, for faster PON deployments.



### PPM-350C PON Power Meter

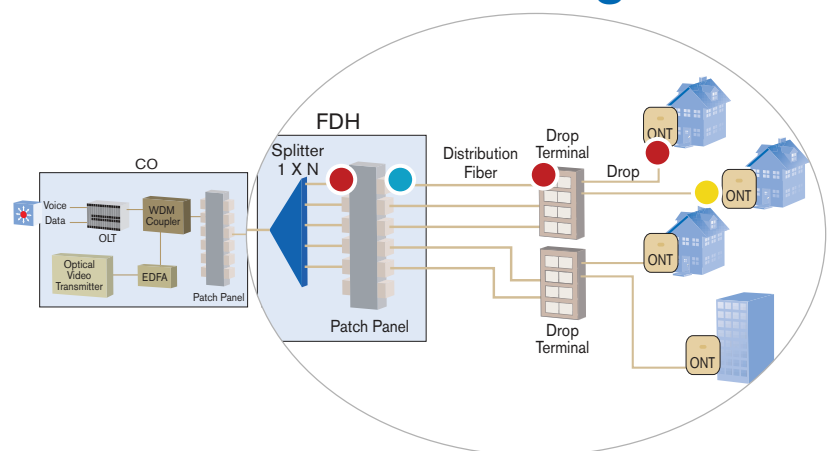
- Easy-to-access data storage
- Unique workflow management for faster PON deployments
- Simultaneous upstream/downstream measurement via a pass-through connection
- Protected data format for guaranteed test result authenticity

### Complementary product FIP-400 Fiber Inspection Probe

- Easy back-panel connector inspection
- Truly rugged and lightweight solution for the field
- Image-capture capability for report documentation (.jpg)



## Maintenance/Troubleshooting



In-service PON troubleshooting kit—the ideal handheld testing solution.



### AXS-110 All-Fiber OTDR

- Perfect tool for tier-2 certification of premises networks
- Pass/fail features that comply with industry standards
- Highest dynamic range of the industry for a handheld OTDR
- View all results at once and easily assess link status

### AXS-100 Access OTDR with 1625 nm filter

- Features an optional dedicated port for testing at 1625 nm incorporating a filter that rejects all unwanted signals (1310, 1490 and 1550 nm) that could contaminate the OTDR measurement



### PPM-350C PON Power Meter

- Simultaneous measurement of all PON signals, anywhere on the network
- Innovative workflow management for boosted test routine efficiency
- Quick and efficient visual inspection
- Enhanced rugged and weatherproof design